



DEEP CYCLE
SERIES: 5000
MODEL: 6 CS 17P

BATTERY ENGINEERING
WWW.ROLLSBATTERY.COM MADE IN CANADA

BATTERY TYPE: 6 VOLTS

DIMENSIONS:

LENGTH	559 MM	22	INCHES
WIDTH	210 MM	8 1/4	INCHES
HEIGHT	464 MM	18 1/4	INCHES

WEIGHTS:

WEIGHT DRY	81 KG	178 LBS.
WEIGHT WET	100 KG	221 LBS.

CONTAINER CONSTRUCTION:

CONTAINER: (INNER)	POLYPROPYLENE	TERMINALS:	FLAG WITH STAINLESS STEEL NUTS AND BOLTS
COVER: (INNER)	POLYPROPYLENE - HEAT SEALED TO INNER CONTAINER	HANDLES:	MOLDED
CONTAINER: (OUTER)	HIGH DENSITY POLYETHYLENE		
COVER: (OUTER)	HIGH DENSITY POLYETHYLENE SNAP FIT TO OUTER CONTAINER		

PLATES:

POSITIVE PLATE DIMENSION:

HEIGHT	273 MM	10.750	INCHES
WIDTH	143 MM	5.625	INCHES
THICKNESS	6.73 MM	0.265	INCHES

NEGATIVE PLATE DIMENSION:

HEIGHT	273 MM	10.750	INCHES
WIDTH	143 MM	5.625	INCHES
THICKNESS	4.70 MM	0.185	INCHES

CELLS: 3 **PLATES/CELL:** 17

POSITIVE PLATE ENVELOPED BY VERTICAL SLYVER GLASS MAT

SEPARATOR:
THICKNESS 3 MM 0.105 INCHES

INSULATION:
GLASS MAT 1 MM 0.020 INCHES

CAPACITY:

CRANK AMPS:		
COLD (CCA)	0°F / -17.8°C	1357
MARINE (MCA)	32°F / 0°C	1696

ELECTROLYTE RESERVE:
ABOVE PLATES 76 MM 3 INCHES

RESERVE CAPACITY:
RC @ 25A 1083 MINUTES

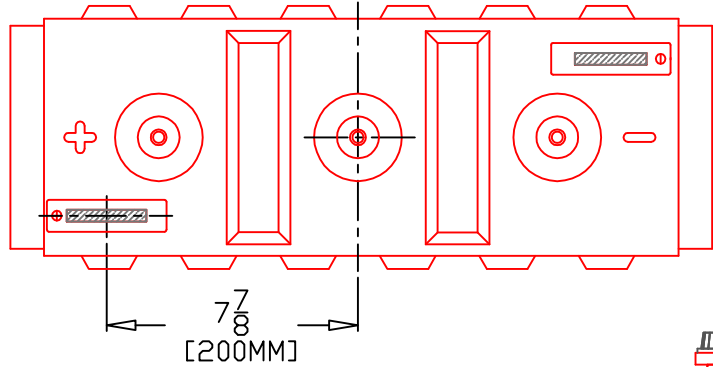
20 HR RATE: 546 50% DOD

	HOUR RATE	SPECIFIC GRAVITY	CAP / AH	CURRENT / AMPS
CAPACITY @	100 HOUR RATE	1.280 SP. GR.	770	7.70
CAPACITY @	72 HOUR RATE	1.280 SP. GR.	726	10.09
CAPACITY @	50 HOUR RATE	1.280 SP. GR.	672	13.43
CAPACITY @	24 HOUR RATE	1.280 SP. GR.	568	23.7
CAPACITY @	20 HOUR RATE	1.280 SP. GR.	546	27.3
CAPACITY @	15 HOUR RATE	1.280 SP. GR.	508	33.9
CAPACITY @	12 HOUR RATE	1.280 SP. GR.	475	39.6
CAPACITY @	10 HOUR RATE	1.280 SP. GR.	453	45.3
CAPACITY @	8 HOUR RATE	1.280 SP. GR.	426	53.2
CAPACITY @	6 HOUR RATE	1.280 SP. GR.	388	64.6
CAPACITY @	5 HOUR RATE	1.280 SP. GR.	366	73
CAPACITY @	4 HOUR RATE	1.280 SP. GR.	339	85
CAPACITY @	3 HOUR RATE	1.280 SP. GR.	306	102
CAPACITY @	2 HOUR RATE	1.280 SP. GR.	262	131
CAPACITY @	1 HOUR RATE	1.280 SP. GR.	186	186

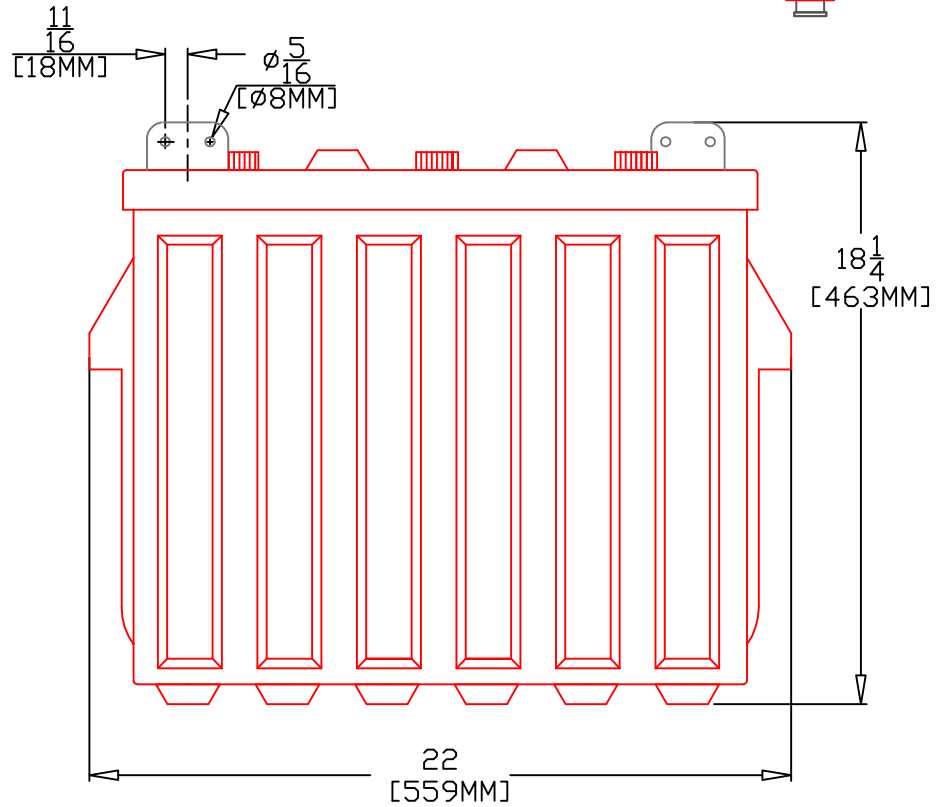
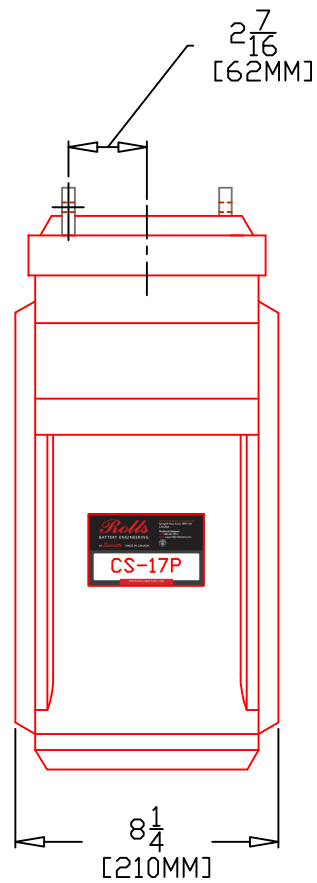


1 STATION RD SPRINGHILL, NOVA SCOTIA CANADA B0M 1X0 1.800.681.9914

REV.2
 Jan-10
 6 CS 17P



PART NUMBER: 6-CS-17P
 WEIGHT WET: 221 LB / 100 KG
 WEIGHT DRY: 178 LB / 81 KG
 CAPACITY: 546 AH 20 HR
 VOLTAGE: 6 V
 OVERALL DIMENSIONS: 22" X 8 1/4" X 18 1/4"
 MAX HEIGHT WITH OPTIONAL HYDROCAPS: 18 5/8" - 473 MM



TITLE: 6CS17P

DESCRIPTION: 6V / 3 CELL 17 PLATE (CS) DEEP CYCLE

CONTACT INFO:
 WEB: WWW.ROLLSBATTERY.COM
 E-MAIL: SALES@ROLLSBATTERY.COM
 PHONE: 1-800-681-9914

SCALE: 1" = 6" 1" = 4" JPEG
 8.5" X 11" 11" X 17" NOT TO SCALE

Drawn by: S. WILES Approved By: D. SURRETTE

DATE: JAN-2010 REVISION 2.0

DRAWING NO.: DWG 005, BD6CS17P